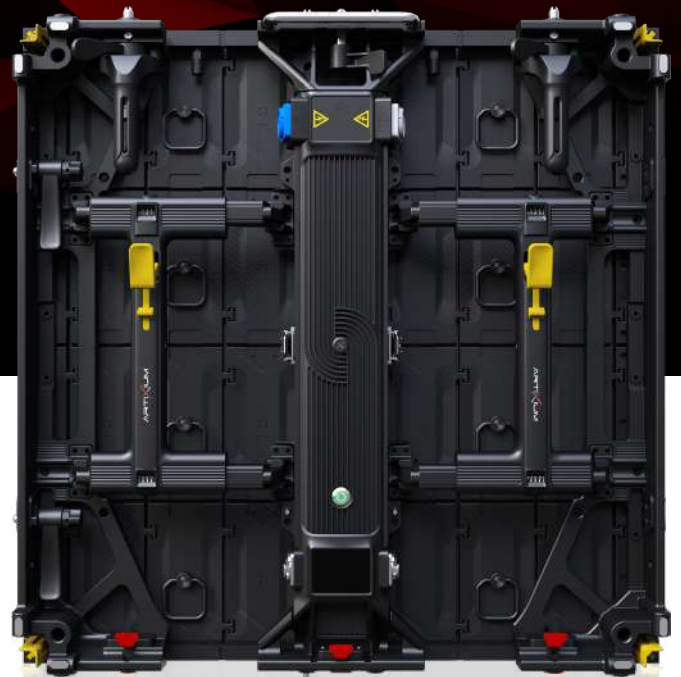




BORON 2.0

INDOOR & OUTDOOR RENTAL
FLEXIBLE LED DISPLAY





OVERVIEW

The BORON 2.0 stands as the newest innovation within our esteemed EVENT range. Distinguished by its distinctive design, this product boasts the exceptional capability to curve both inward and outward up to $\pm 45^\circ$. This groundbreaking feature, complemented by the LED cabinet's lightweight construction and tour-centric attributes, positions it as an ideal choice for rental endeavors. Its adaptability makes it a versatile addition to various settings, including exhibitions and scenographic applications. Installation and disassembly are a breeze, and the BORON 2.0 can be effortlessly customized with modular trusses and hanging bars to meet specific requirements.



APPLICATION
Indoor / Outdoor



BRIGHTNESS
 ≤ 1300 NITS (in)
 ≤ 5000 NITS (out)



INGRESS PROTECTION
IP20 (in) / IP65 (out)



WEIGHT
7.8 kg/cabinet (in)
8 kg/cabinet (out)



PIXEL PITCH
P1.9 P2.6 P3.9 (in)
P3.9 (out)



MATERIAL
Die-casting aluminum



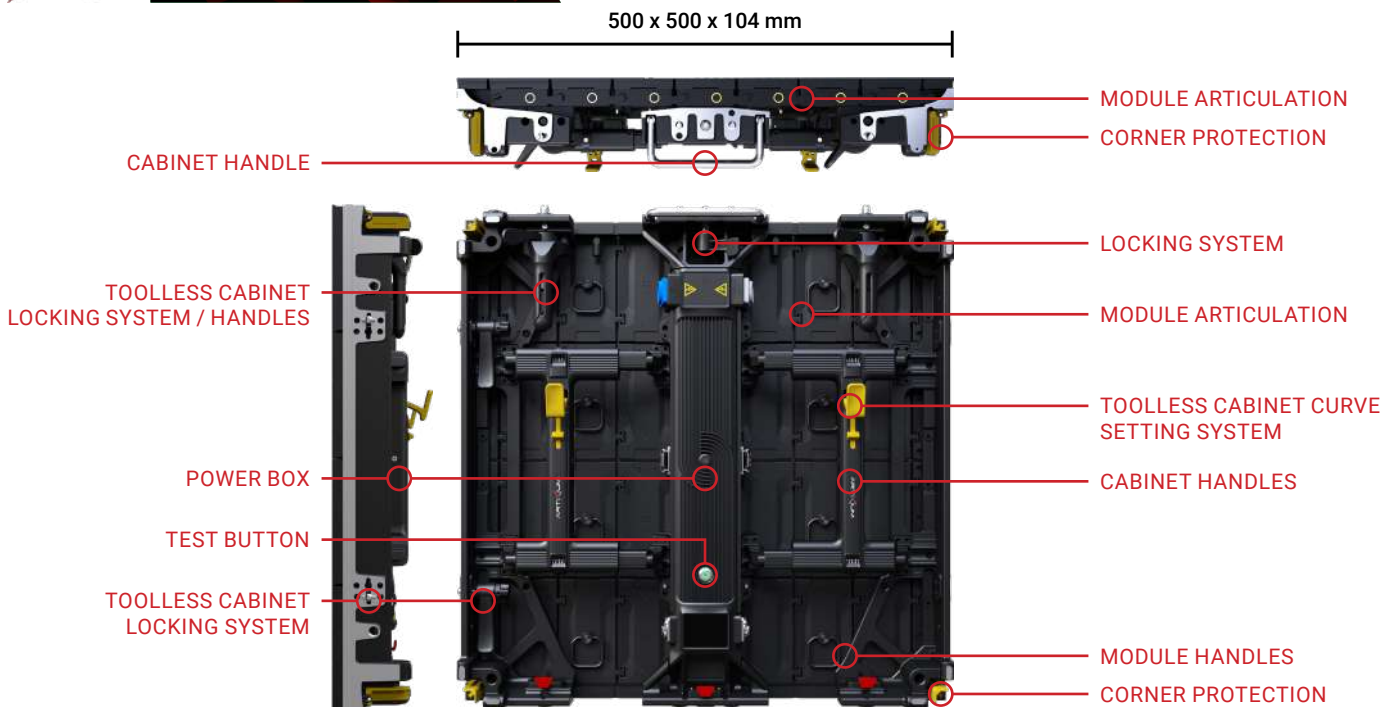
DISPLAY AREA (W x H)
500 x 500 mm



MAINTENANCE
Back maintenance



FEATURES



MODULAR CURVING SYSTEM

The BORON 2.0 module design stands out as a distinctive feature in the LED industry. It comprises four articulated horizontal modules within each cabinet for the indoor version, while the outdoor cabinet boasts a single 500 x 500 mm module, offering unparalleled flexibility. This innovative design allows the cabinet to be seamlessly curved in any direction, facilitated by the integrated curving locking system ingeniously incorporated into the cabinet handles.



FINE PIXEL PITCH

The BORON 2.0 is available in P1.9 and P2.6 variants, featuring the cutting-edge MiniLED 4in1 technology—a technology that has already enjoyed significant success with our BERYL cabinets. This integration enables users to experience High Definition resolution, coupled with unmatched color vibrancy, elevating the visual impact of the LED display. The P3.9 cabinet, available for both indoor and outdoor applications, remains a solution of choice, boasting a great visual resolution with SMD LEDs.



COMPATIBLE WITH THE BERYL

To elevate your touring capabilities, we've ensured full compatibility between the BORON 2.0 and our proven BERYL cabinets. The seamless integration of these two products offers a synergistic advantage, allowing you to harness the battle-tested reliability of BERYL alongside the innovative features of the BORON 2.0. The result is a powerhouse combination that maximizes performance and versatility for your LED display needs.





TECHNICAL SPECIFICATIONS

Product Parameters	Unit	INDOOR			OUTDOOR
		1.9	2.6	3.9	3.9
Pixel Pitch	mm	1,95	2,60	3,91	3,91
LED		MiniLED 4in1		SMD2121	SMD1921
Application		Rental flexible LED cabinet			
Ingress Protection	IP	IP20			IP65
Brightness	cd/m ²	≤ 1300 Nits @5volts		≤ 800 Nits @5volts	≤ 5000 Nits @5volts
Color Temperature after calib (adjustable)	deg. K	6500			
Viewing Angle (50% brightness)	deg.	160H / 140V			160 H / 90 V
Cabinet Size (WxHxD)	mm	500 x 500 x 104			500 x 500 x 106.8
Display area (WxH)	mm	500 x 500			
Module Size (WxHxD)	mm	500 x 125 x 12			500 x 500 x 29.2
Pixel Matrix Per Cabinet (WxH)	px	256 x 256	192 x 192	128 x 128	128 x 128
Pixel Matrix Per Module (WxH)	px	256 x 64	192 x 48	128 x 32	128 x 128
Pixel Density	px/m ²	262144	147456	65536	65536
Weight of cabinet and modules	kg	7.8			8
Cabinet Material		Die-casting aluminum			
Maintenance Mode		Back			
Mask specification		95% Plastic + 5% Fiber / SS Screws / No shaders		95% Plastic + 5% Fiber / SS Screws / Shaders	
Contrast Ratio		High			
Grey scale (linear)	bit	16			
Brightness control	bit	16			
Processing depth	bit	16			
Color		281 Trillions			
Display Refresh Rate	Hz	3840			
Operation Power	V	AC85-230V			
Max. Power Consumption	W/m ²	540		440	750
Average Power Consumption	W/m ²	162		135	225
Control Mode		Synchronization			
Video Frame Rate	Hz	50/60Hz			
Input Types Supported		DVI / SDI / HDMI			
3D ready (optional)		Yes			
Calibration		Yes			
Lifetime (50% brightness)	h	50000			
Operating Humidity Range		10-95%			
Operating Temperature Range		-20°C / +50°C			
Screen Uniformity Correction		-			
Certification		CE / ETL / CCC / CB			
Options		Hangin bars / stacking system - High refresh rate			
Compatibility		Compatible with the BERYL			

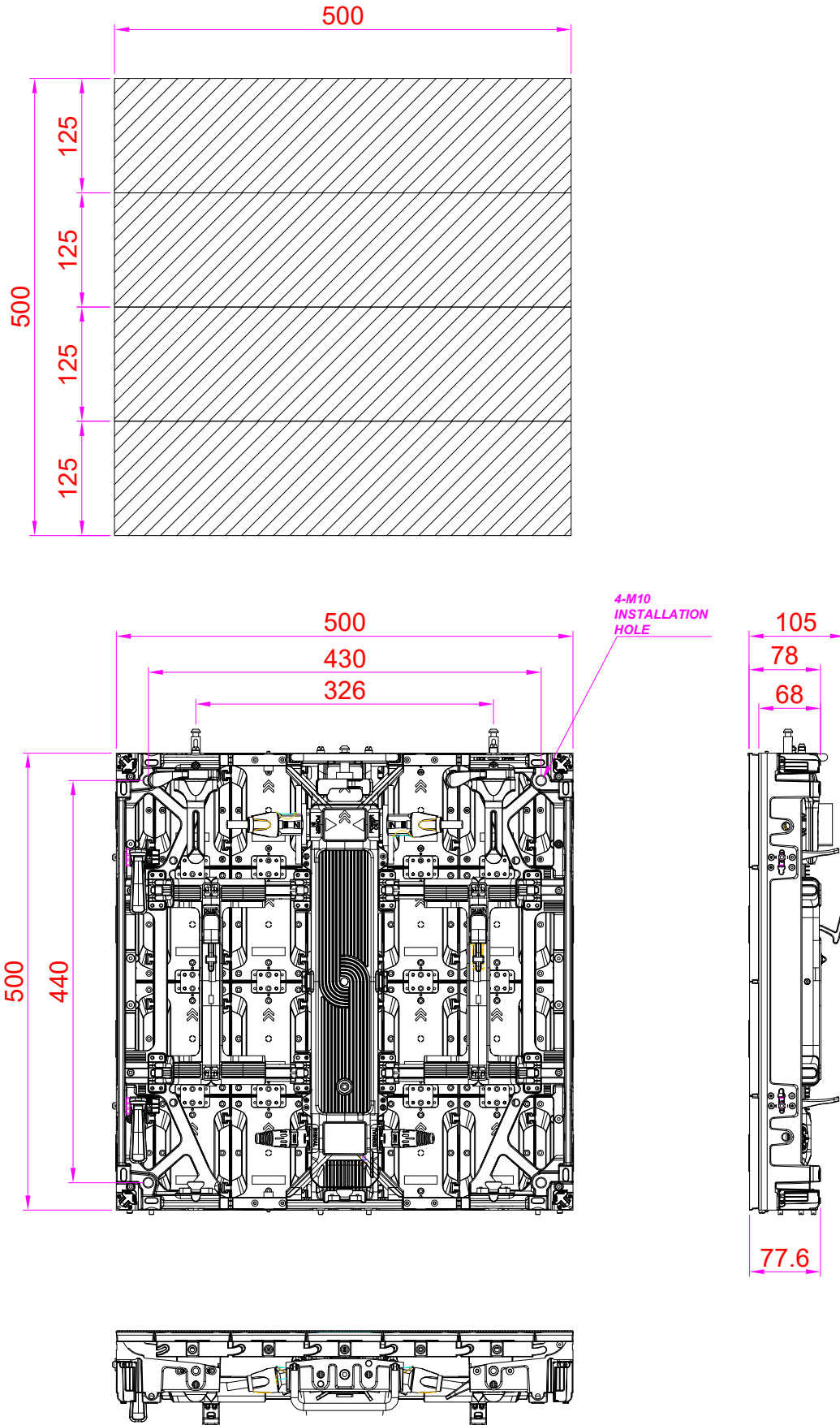


Information and design in this leaflet are subject to Artixium France SAS copyright. No material from this leaflet can be used in any context without ARTIXIUM approval. Designs and specifications are subject to change without notice. All images of ARTIXIUM products components and accessories used here are also subject to change without notice. All information presented herein is based on the latest information at the time of publishing. Actual results of performance and other specifications may differ or vary with production models and may depend on selected options and model ranks.



TECHNICAL DRAWINGS

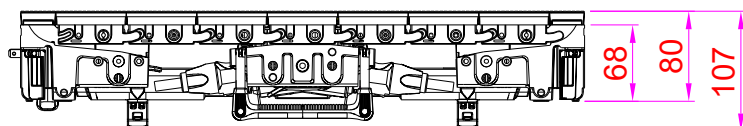
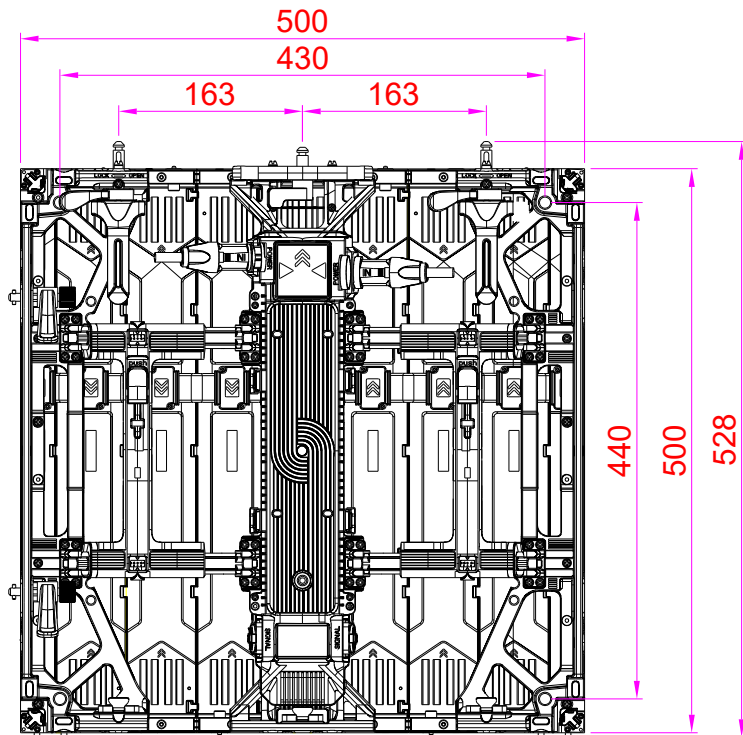
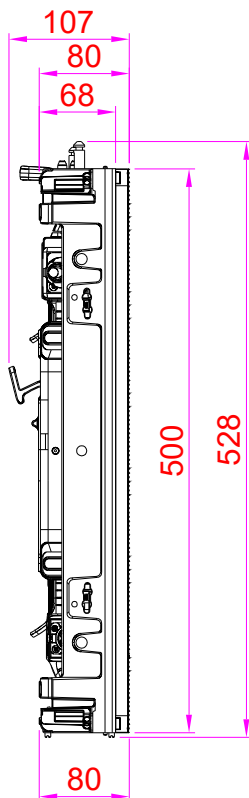
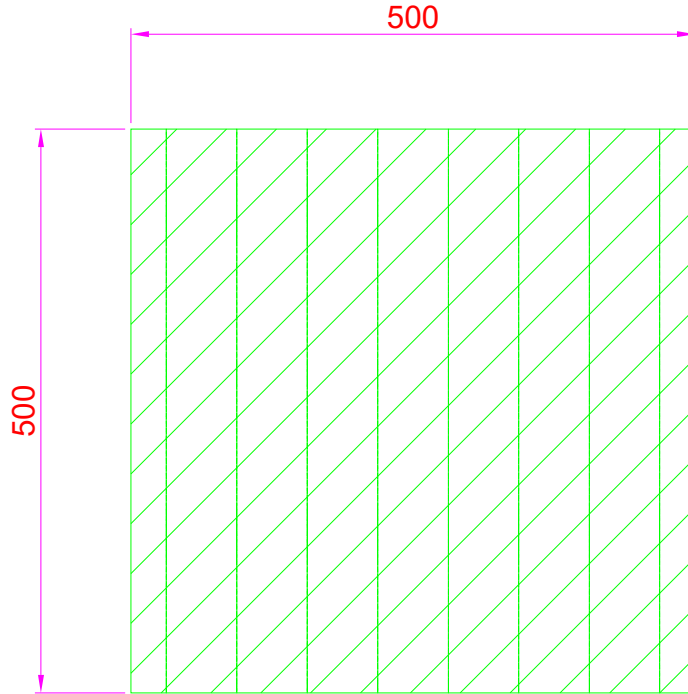
500 x 500 x 105 mm indoor cabinet





TECHNICAL DRAWINGS

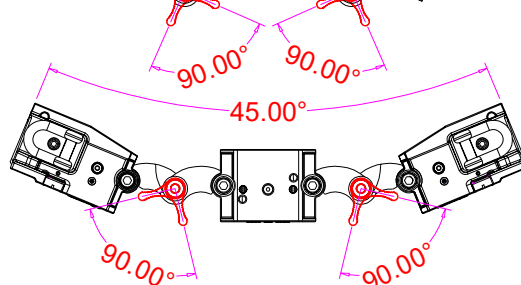
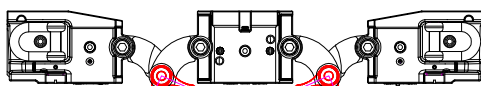
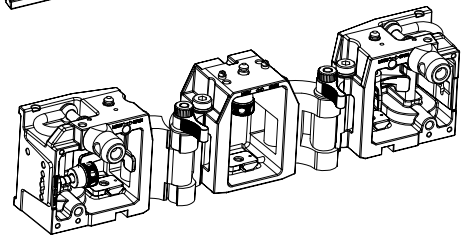
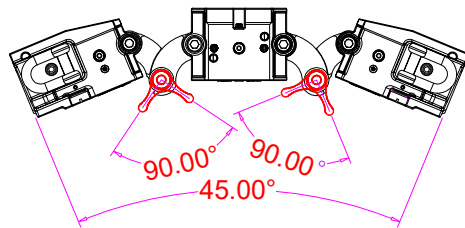
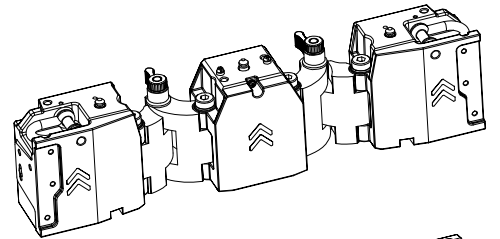
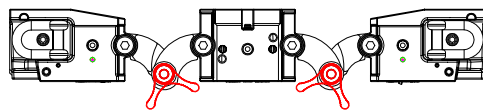
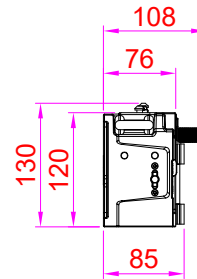
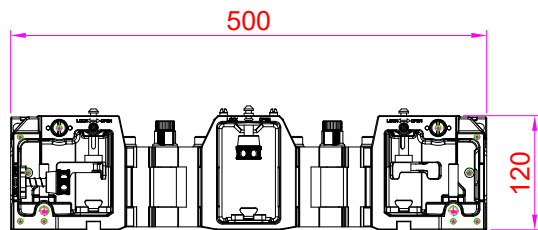
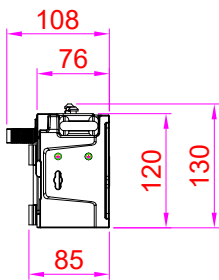
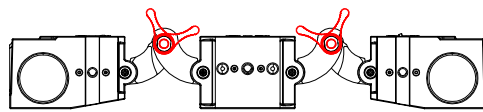
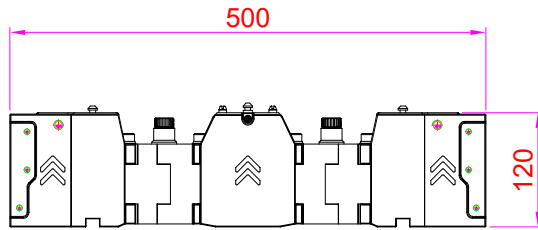
500 x 500 x 107 mm outdoor cabinet





TECHNICAL DRAWINGS

articulated hanging bar / floor stacking





CONTACT

The Artixium regional branches are the key for the growth and development of our global network all over the world. Artixium's team is a spectrum of different nationalities and cultures, reflecting their global presence and mindset, mak-

ing their communication smooth and hassle-free with clients from all around the world. Customer care, Innovation and flexibility has always been our values and we intend to keep this reputation for many years to come.

ARTIXIUM FRANCHISES

"From your project's conception to its completion."



112 Avenue Franklin Roosevelt
69120 Vaulx-en-Velin
France



Artixium Operational Center
518000 Shenzhen
China




Weissensteinstrasse 90b,
46149 Oberhausen
Germany




Merkez Mah. Baglar Cad. A
Blok Apt. No: 14D/13 Kagithane, Istanbul
Turkey



 www.artixium.com

 0 428 001 801

 [linkedin.com/company/artixium](https://www.linkedin.com/company/artixium)

 twitter.com/artixium

 contact@artixium.com

 [youtube.com/@artixium](https://www.youtube.com/@artixium)

 [facebook.com/artixium](https://www.facebook.com/artixium)

 [instagram.com/artixium](https://www.instagram.com/artixium)



Since its creation in 2012 by two european entrepreneurs, Artixium has been evolving and always looking for innovative ways to contribute to the digital transition of our world. It only took a few years for Artixium to become a key player in the LED display industry.

www.artixium.com